

ESyTANK

DRINKING WATER STORAGE TANK



ESYTANK 500

DRINKING WATER STORAGE TANK



EsyTank 500 is compatible with EsyBox
*EsyBox not supplied with EsyTank

EsyTank 500 Mini is compatible with EsyBox Mini³
*EsyBox Mini³ not supplied with EsyTank

TECHNICAL DATA

Pumped fluid: clean, free from solids or abrasive substances, not viscous, not aggressive, not crystallised and chemically neutral.

Maximum liquid temperature: 40°C

Maximum environment temperature: 50°C

Maximum capacity: 480 litres

Supply pressure allowed at mains water inlet: max. 6 bar

Dimensions of mains water inlet pipe: ¾"

Dimensions of delivery pipe: 1"

Dimensions of overflow pipe connection: DN 50

Dimensions of front discharge (not drilled): DN40

APPLICATION / EXAMPLES OF INSTALLATION

EsyTank and EsyTank 500 Mini are 480l tanks specifically designed to work seamlessly with EsyBox and EsyBox Mini³ in domestic/residential settings for storing and supplying water and serving as break tanks between the pump sets and mains supply.

EsyTank/EsyTank 500 Mini is recommended for: meeting water demand when the public water supply is insufficient; use as a break tank, where direct-suction pumping systems cannot be installed, to break the connection with the city water supply and thus prevent backflow into the mains water and resulting contamination; use as an intermediate tank in tall buildings to separate the pressure boosting system into a number of zones.

Using EsyTank/EsyTank 500 Mini in conjunction with EsyBox or EsyBox Mini³ allows you to produce a complete energy-efficient pressure boosting system with a series of advantages: a much smaller footprint; a more appropriately sized system so that it fits through smaller doors, like those leading to cellars; the tank comes with all the accessories required for fast installation; unbeatable integration and ease of installation with EsyBox or EsyBox Mini³; use of recycled materials that are fit for use with drinking water.

DESIGN FUTURES

EsyTank/EsyTank 500 Mini is a tank with a 480l capacity, suitable for use with drinking water. It features a valve for filling from the mains with an unrestricted air gap float for backflow prevention, in line with standard UNI EN 1717. The CAT3 version features an AG-type air gap overflow system with DN50 outlet, while the CAT5 has an AB-type air gap system with auxiliary DN50 outlet. The AG- or AB-type overflow systems on both versions are located at the back; the tank comes with an insect guard that can be attached with special screws.

EsyTank/EsyTank 500 Mini comes with EsyDock, suction pipe with foot valve and delivery line. The tank is suitable for fixed mounting above ground: the four slots in the base make it easy to secure to the ground. A plug or a drain line can be connected to the front wall by using the threaded bulkhead adapter that comes with the tank.

And with the special inspection cover, maintenance is made easy, too. The system is modular, allowing you to install tanks on three sides (at the back and either side).

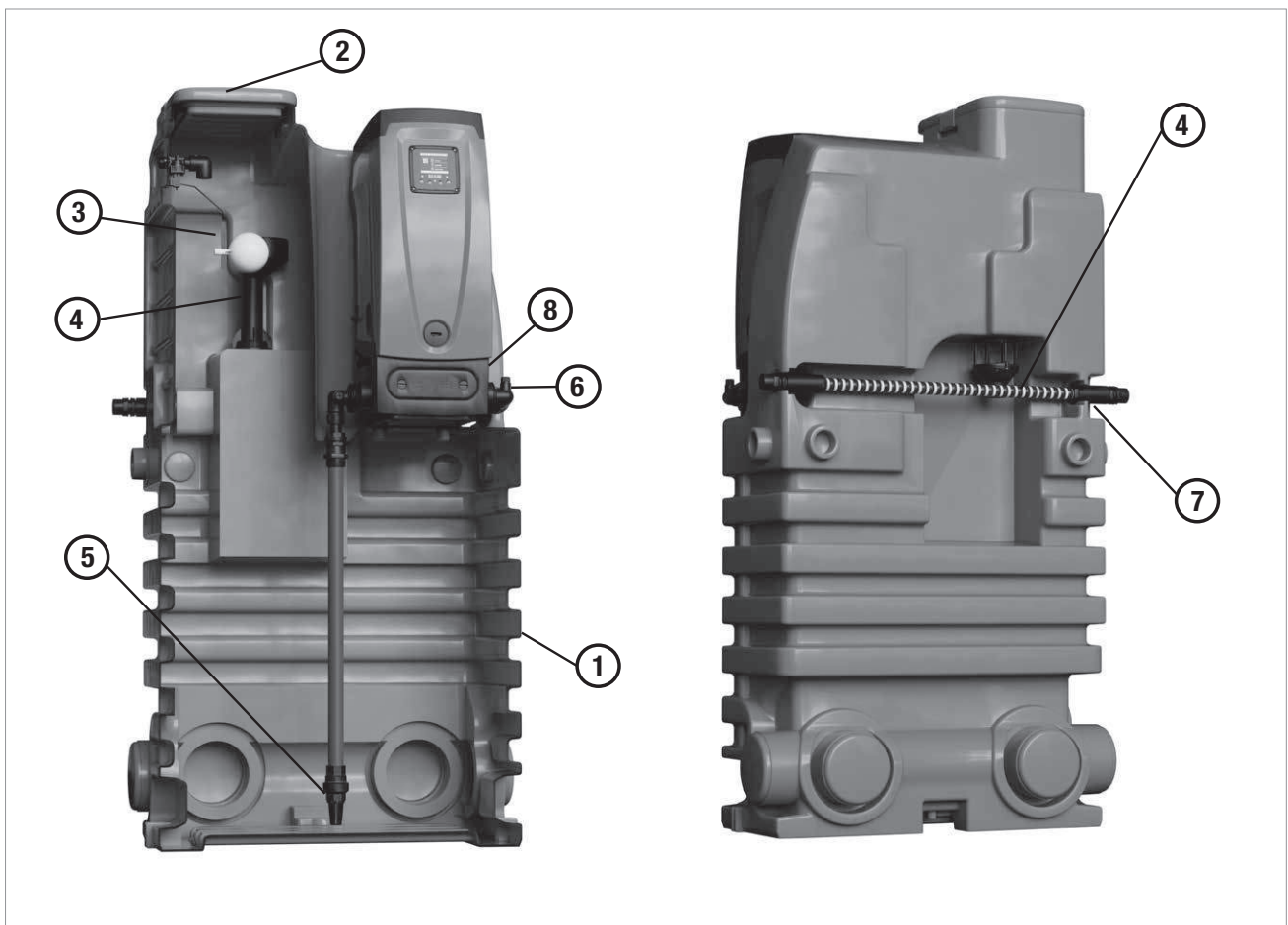
ESYTANK 500

DRINKING WATER STORAGE TANK


MATERIALS


N°	ITEMS	MATERIALS
1	480 LITRE TANK	LINEAR LOW-DENSITY POLYETHYLENE. LDPE
2	INSPECTION COVER	LINEAR LOW-DENSITY POLYETHYLENE. LDPE
3	SERVO-CONTROLLED FLOAT VALVE	(NYLON) PA 66 GLASS FIBER REINFORCED, STAINLESS STEEL, EPDM, PPH, BRASS CW508L
4	OVERFLOW	PP POLYPROPYLENE 30% GLASS FIBER
5	SUCTION PIPE WITH FOOT VALVE	POLYPROPYLENE HOMOPOLYMER, POM
6	DELIVERY PIPE	POLYPROPYLENE HOMOPOLYMER
7	AUXILIARY DELIVERY PIPE*	POLYPROPYLENE HOMOPOLYMER
8	E.SYDOCK	NYLON 30% FV, PP 30% FV, NBR


*not supplied with EskyTank



ACCESSORIES

ESYTANK AUXILIARY CITERN	DESCRIPTION
	<p>The EsyTank auxiliary cistern is supplied without any fittings or the EsyDock. The tank has a modular design to couple easily with other EsyTank units, making the system expandable to the necessary capacity. It can be connected on three sides (at side and rear) using the EsyTank tank coupling kit.</p>

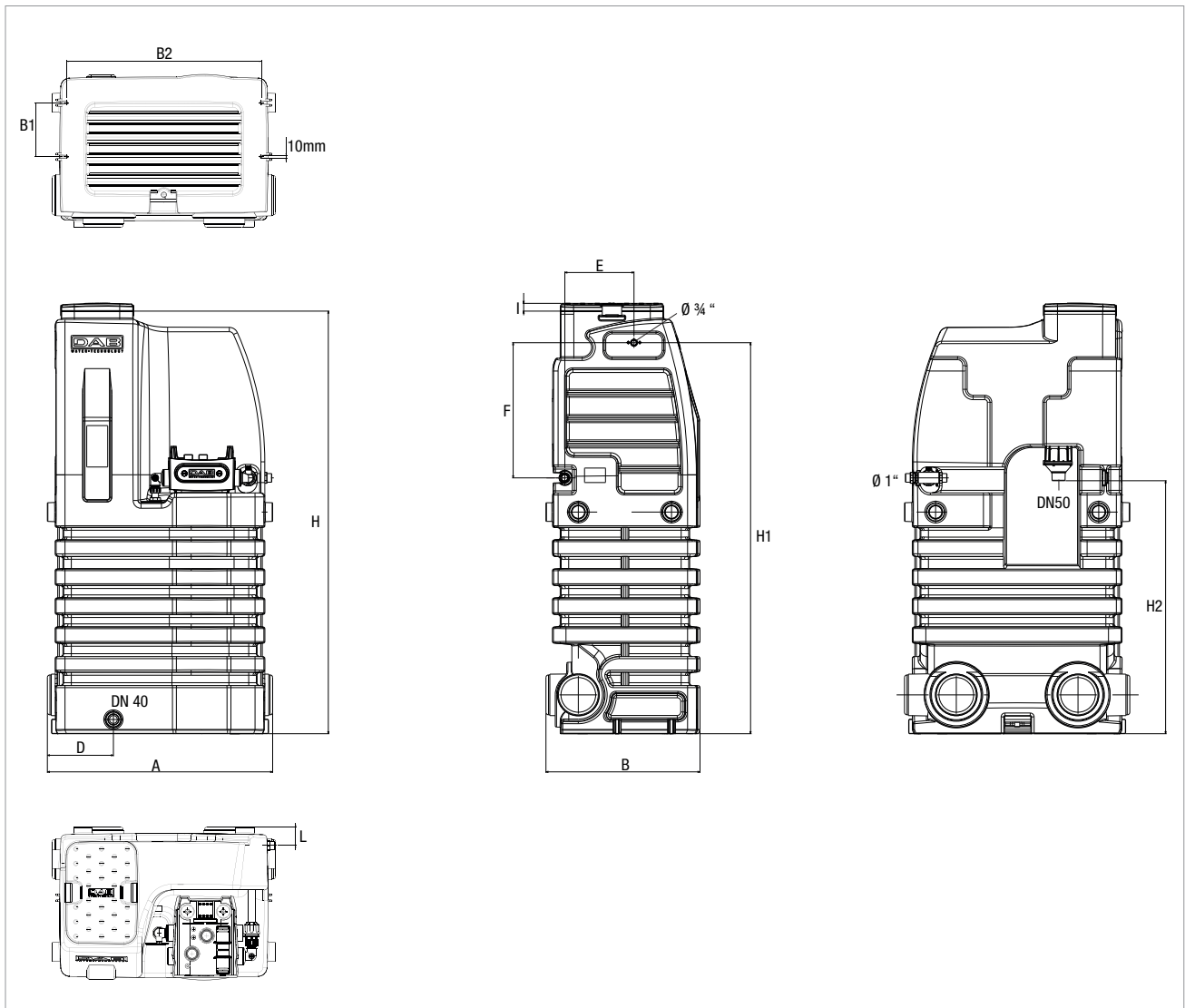
ESYTANK COUPLING KIT	DESCRIPTION
	<p>The EsyTank coupling kit is composed of a PVC sleeve with gasket (D.160 mm L=150), two PVC aligning pipes (D.50mm x L=60) and a connecting ring nut for a 2-pump option. It allows the connection of several EsyTank units or between EsyTank and EsyTank auxiliary cistern.</p>

ESYTANK OPTIONAL DELIVERY KIT	DESCRIPTION
	<p>Composed of a 1" PP pipe. It allows an auxiliary delivery for single tank systems or with the coupling kit it allows several EsyTank systems to be linked together and to create pressure boosting units with several pumps and tanks.</p>

ESYTANK 500

DRINKING WATER STORAGE TANK

DIMENSIONS

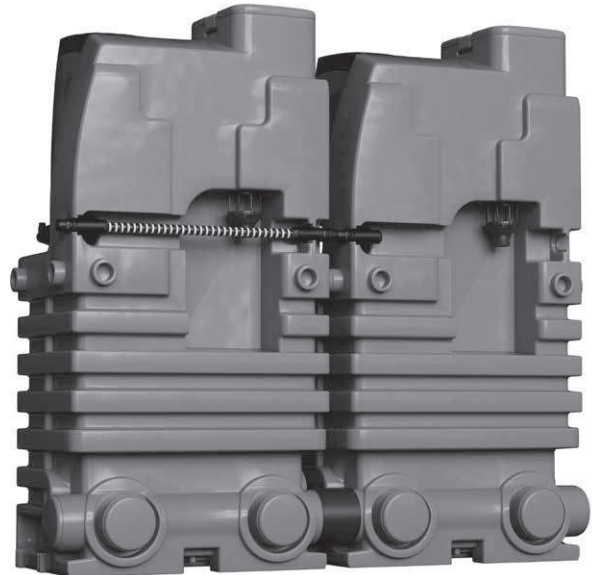


MODEL	A	B	B1	B2	D	E	F	H	H1	H2	I	L	WEIGHT (kg)
ESYTANK 500	870	595	210	758	255	267	522	1632	1510	977	30	72	40
ESYTANK 500 MINI													

CONFIGURATION EXAMPLES

INDEX	DESCRIPTION
A	ESYBOX
B	ESYTANK
C	ESYTANK AUXILIARY CITERN
D	ESYTANK COUPLING KIT
E	ESYTANK OPTIONAL DELIVERY KIT

1. INSTALLATION OF 2 ESYBOX + 2 ESYTANK



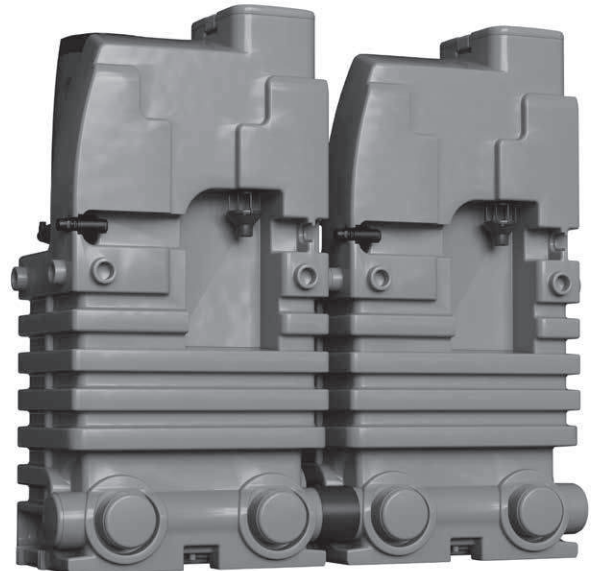
$2x A + 2x B + 1x D + 1x E^*$

*FOR CONFIGURATION 1 REQUIRED ITEMS ARE : 2 ESYBOX + 2 ESYTANK + 1 ESYTANK COUPLING KIT + 1 ESYTANK OPTIONAL DELIVERY KIT

ESYTANK 500

DRINKING WATER STORAGE TANK

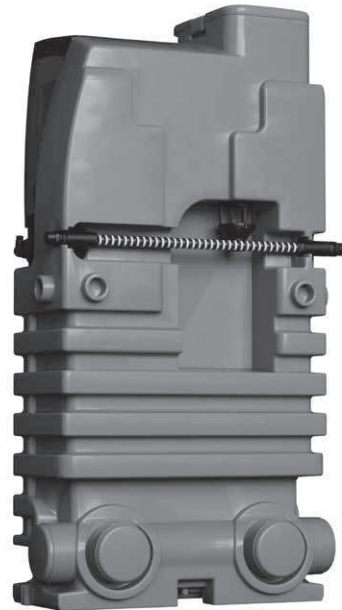
2.ESYTANK EXPANSION WITH AUXILIARY TANK



1xA + 1xB + 1xC + 1xD*

*FOR CONFIGURATION 2 REQUIRED ITEMS ARE: 1 ESYBOX + 1 ESYTANK + 1 ESYTANK AUXILIARY CITERN + 1 ESYTANK TANK COUPLING KIT

3.ESYTANK INSTALLATION WITH DELIVERY OUTLET ON THE LEFT



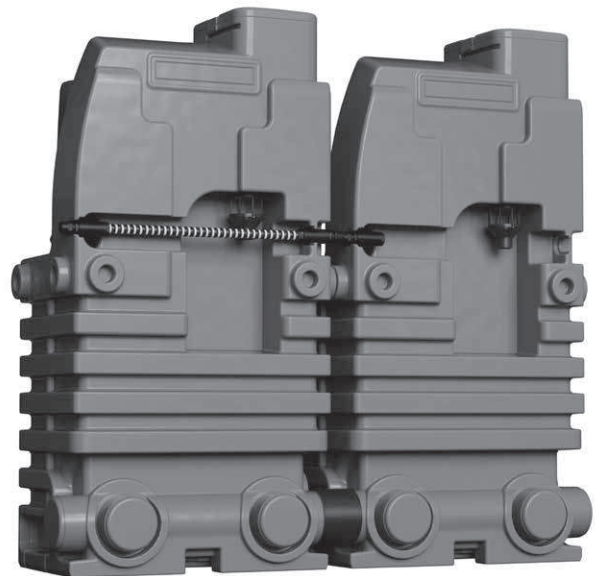
1xA + 1xB + 1xE*

*FOR CONFIGURATION 3 REQUIRED ITEMS ARE : 1 ESYBOX + 1 ESYTANK + 1 X ESYTANK OPTIONAL DELIVERY KIT

CONFIGURATION EXAMPLES

INDEX	DESCRIPTION
A	ESYBOX MINI ³
B	ESYTANK
C	ESYTANK AUXILIARY CITERN
D	ESYTANK COUPLING KIT
E	ESYTANK OPTIONAL DELIVERY KIT

1. INSTALLATION OF 2 ESYBOX MINI³ + 2 ESYTANK



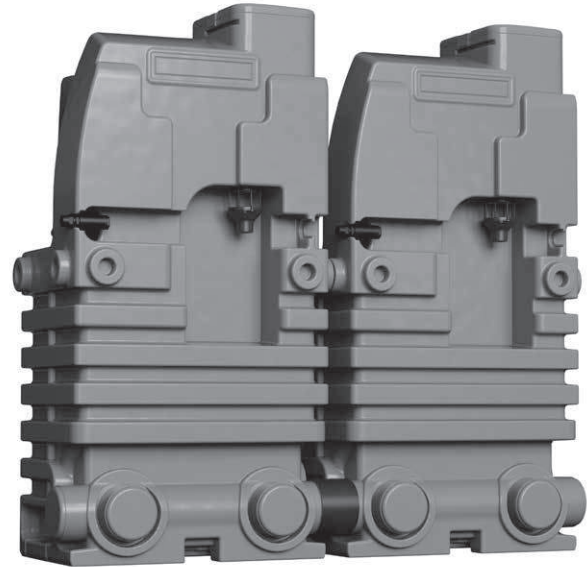
$$2xA + 2xB + 1xD + 1xE^*$$

*FOR CONFIGURATION 1 REQUIRED ITEMS ARE : 2 ESYBOX MINI³ + 2 ESYTANK + 1 ESYTANK COUPLING KIT + 1 ESYTANK OPTIONAL DELIVERY KIT

ESYTANK 500

DRINKING WATER STORAGE TANK

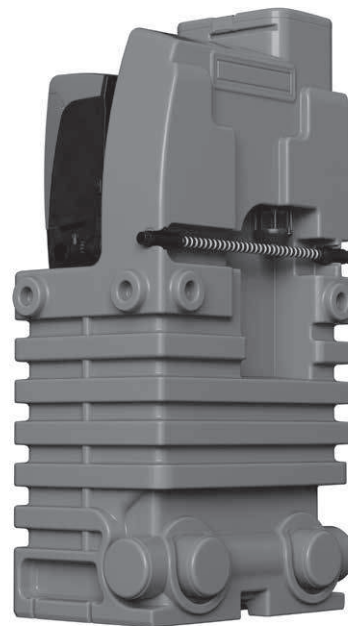
2.ESYTANK EXPANSION WITH AUXILIARY TANK



1xA + 1xB + 1xC + 1xD*

*FOR CONFIGURATION 2 REQUIRED ITEMS ARE: 1 ESYBOX MINI³ + 1 ESYTANK + 1 ESYTANK AUXILIARY CITERN + 1 ESYTANK TANK COUPLING KIT

3.ESYTANK INSTALLATION WITH DELIVERY OUTLET ON THE LEFT



1xA + 1xB + 1xE*

*FOR CONFIGURATION 3 REQUIRED ITEMS ARE : 1 ESYBOX MINI³ + 1 ESYTANK + 1 X ESYTANK OPTIONAL DELIVERY KIT

ESYTANK 300

DRINKING WATER STORAGE TANK



EsyTank 300 is compatible with EsyBox
*EsyBox not supplied with EsyTank

EsyTank 300 Mini is compatible with EsyBox Mini³
*EsyBox Mini³ not supplied with EsyTank

TECHNICAL DATA

Pumped fluid: clean, free from solids or abrasive substances, not viscous, not aggressive, not crystallised and chemically neutral.

Maximum liquid temperature: 40°C

Maximum environment temperature: 50°C

Maximum capacity: 275 litres

Supply pressure allowed at mains water inlet: max. 6 bar

Dimensions of mains water inlet pipe: ¾"

Dimensions of delivery pipe: 1"

Dimensions of overflow pipe connection: DN 50

Dimensions of front discharge (not drilled): DN40

APPLICATION / EXAMPLES OF INSTALLATION

EsyTank and EsyTank 300 Mini are 275l tanks specifically designed to work seamlessly with EsyBox and EsyBox Mini³ in domestic/residential settings for storing and supplying water and serving as break tanks between the pump sets and mains supply. Footprint is reduced considerably compared to the 480l version.

EsyTank/EsyTank 300 Mini is recommended for: meeting water demand when the public water supply is insufficient; use as a break tank, where direct-suction pumping systems cannot be installed, to break the connection with the city water supply and thus prevent backflow into the mains water and resulting contamination; use as an intermediate tank in tall buildings to separate the pressure boosting system into a number of zones.

Using EsyTank/EsyTank 300 Mini in conjunction with EsyBox or EsyBox Mini³ allows you to produce a complete energy-efficient pressure boosting system with a series of advantages: a much smaller footprint; a more appropriately sized system so that it fits through smaller doors, like those leading to cellars; the tank comes with all the accessories required for fast installation; unbeatable integration and ease of installation with EsyBox or EsyBox Mini³; use of recycled materials that are fit for use with drinking water.

DESIGN FUTURES

EsyTank/EsyTank 300 Mini is a tank with a 275l capacity, suitable for use with drinking water. It features a valve for filling from the mains with an unrestricted air gap float for backflow prevention, in line with standard UNI EN 1717. The CAT3 version features an AG-type air gap overflow system with DN50 outlet, while the CAT5 has an AB-type air gap system with auxiliary DN50 outlet. The AG- or AB-type overflow systems on both versions are located at the back; the tank comes with an insect guard that can be attached with special screws.

EsyTank/EsyTank 300 Mini comes with EsyDock, suction pipe with foot valve and delivery line. The tank is suitable for fixed mounting above ground: the four slots in the base make it easy to secure to the ground. A plug or a drain line can be connected to the front wall by using the threaded bulkhead adapter that comes with the tank.

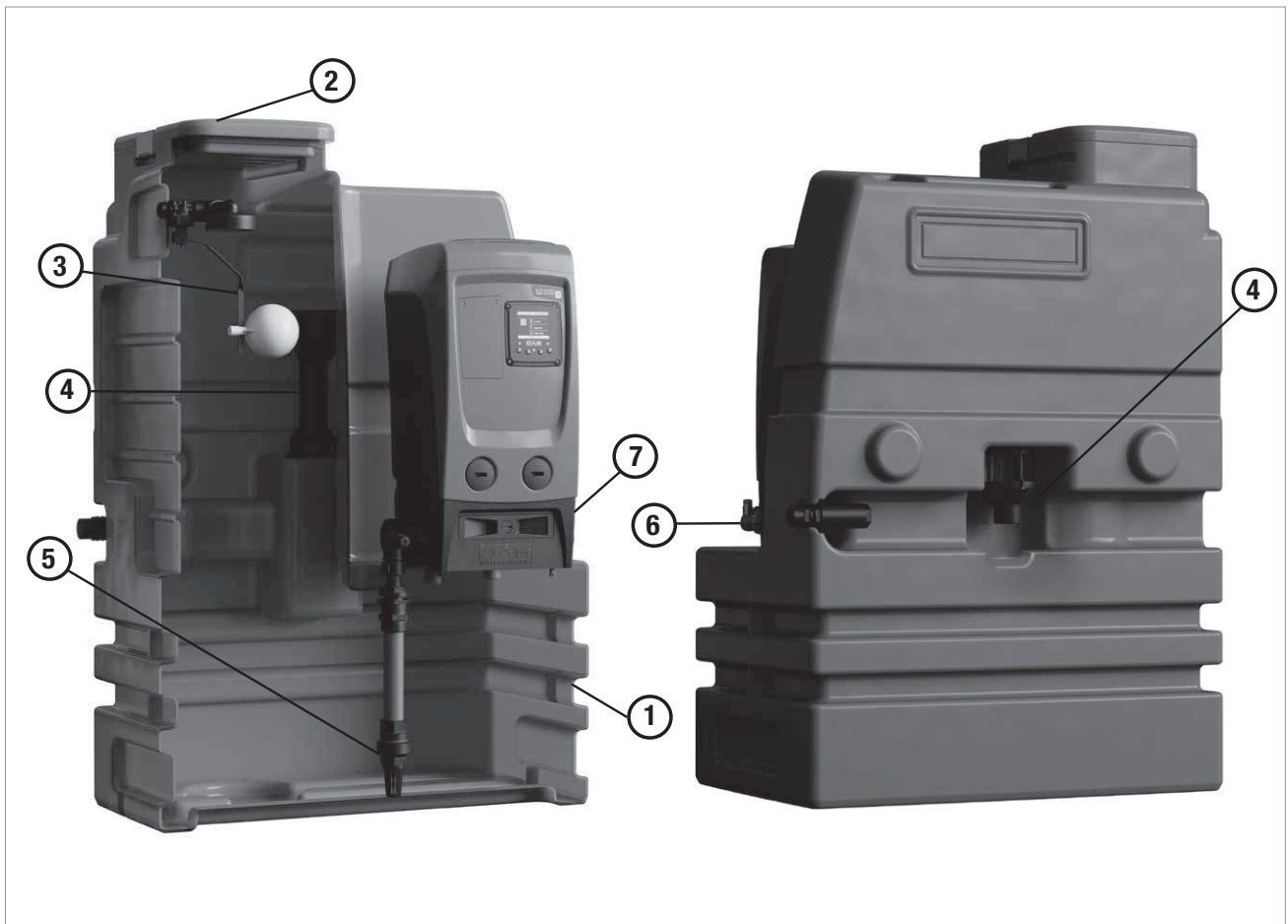
And with the special inspection cover, maintenance is made easy, too.

ESYTANK 300

DRINKING WATER STORAGE TANK

MATERIALS

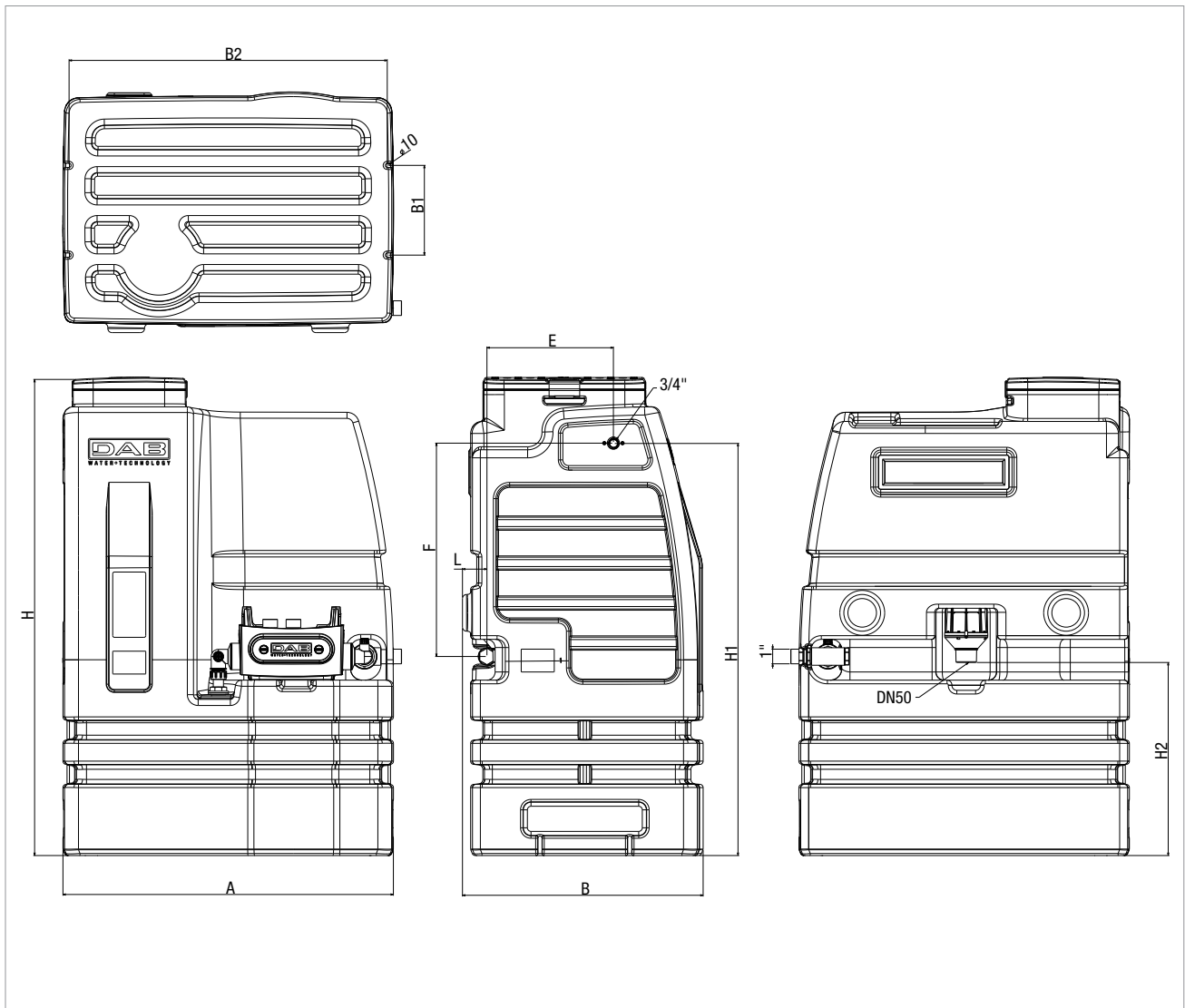
N°	ITEMS	MATERIALS
1	275 LITRE TANK	LINEAR LOW-DENSITY POLYETHYLENE. LDPE
2	INSPECTION COVER	LINEAR LOW-DENSITY POLYETHYLENE. LDPE
3	SERVO-CONTROLLED FLOAT VALVE	(NYLON) PA 66 GLASS FIBER REINFORCED, STAINLESS STEEL, EPDM, PPH, BRASS CW508L
4	OVERFLOW	PP POLYPROPYLENE 30% GLASS FIBER
5	SUCTION PIPE WITH FOOT VALVE	POLYPROPYLENE HOMOPOLYMER, POM
6	DELIVERY PIPE	POLYPROPYLENE HOMOPOLYMER
7	ESYDOCK	NYLON 30% FV, PP 30% FV, NBR



ESYTANK 300

DRINKING WATER STORAGE TANK

DIMENSIONS



MODEL	A	B	B1	B2	E	F	H	H1	H2	L	WEIGHT (kg)
ESYTANK 300	810	590	220	758	310	520	1170	1010	470	60	30
ESYTANK 300 MINI											

DNA[®]

PUMPS SELECTOR



On-line product selection



DAB PUMPS LTD.

Unit 6 Gilberd Court
Newcomen Way, Severalls Park
CO4 9WN
Colchester
ordersuk@dwtgroup.com
Tel. +44 0333 777 5010



DAB PUMPS IBERICA S.L.

Calle Verano 18-20-22
28850 - Torrejón de Ardoz - Madrid
Spain
Info.spain@dwtgroup.com
Tel. +34 91 6569545



DAB PUMPS (QINGDAO) CO. LTD.

No.10 Xindong Road
Jiulong Town,
Jiaozhou City
266319 Qingdao (Shandong) - China
sales.cn@dwtgroup.com
Tel. +86 400 186 8280



DAB PUMPS BV

*Hofveld 6 C1
1702 Groot Bijgaarden - Belgium
info.belgium@dwtgroup.com
Tel. +32 2 4668353



DAB PUMPS HUNGARY KFT.

H-8800
Nagykanizsa, Buda Ernő u.5
Hungary
Tel. +36 93501700



DAB PUMPS DE MÉXICO, S.A. DE C.V.

Av Amsterdam 101 Local 4
Col. Hipódromo Condesa,
Del. Cuauhtémoc CP 06170
Ciudad de México
Tel. +52 55 6719 0493



DAB PUMPS POLAND Sp. z o.o.

Ul. Janka Muzykanta 60
02188 Warszawa - Poland
sprzedaz@dabpumps.com.pl



DAB PUMPS B.V.

Statenlaan, 4
5223 LA, 's-Hertogenbosch
Nederland
info.nl@dabpumps.com
Tel. +31 416 387280



DAB PUMPS INC.

3226 Benchmark Drive
Ladson, SC 29456 - USA
info.usa@dwtgroup.com
Tel. 1- 843-797-5002
Fax 1-843-797-3366



DAB PUMPS OCEANIA PTY LTD

426 South Gippsland Highway,
Dandenong South VIC 3175 - Australia
info.oceania@dwtgroup.com
Tel. +61 1300 378 677



DAB PUMPS GMBH

Am Nordpark 3
D - 41069 Mönchengladbach - Germany
info.germany@dwtgroup.com
Tel. +49 2161 47388-0
Fax +49 2161 47388-36



DAB PUMPS SOUTH AFRICA (PTY) LTD

Twenty One industrial Estate,
16 Purlin Street, Unit B, Warehouse 4
Olifantsfontein - 1667 - South Africa
info.sa@dwtgroup.com
Tel. +27 12 361 3997



PT DAB PUMPS INDONESIA

Satrio Tower lantai 26
unit C-D, Jl. Prof. Dr. Satrio Kav. C4,
Kel. Kuningan Timur, Kec. Setiabudi, Kota Adm.
Jakarta Selatan, Prov. DKI Jakarta. - Indonesia
Tel. +62 2129222850